

Catalog:	
Project:	
Type:	Date:
Notes:	

LED WAFER RECESSED DOWN LIGHT

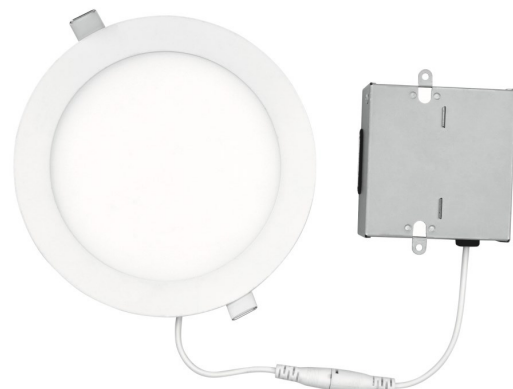
TK-SPL1™ Series

Description

Tektron TK-SPL1 is a high-performance LED Wafer Recessed Downlight that can be used for various commercial and residential applications. It offers up to 80% energy savings and does not contain any harmful Mercury or Lead

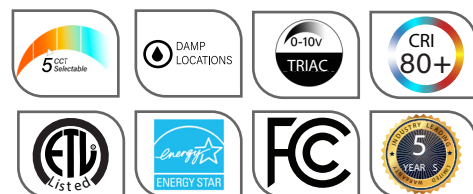
Applications

Ideal for lighting malls, hospitals, hotels, and retail spaces. Replaces CFL & HID or Incandescent downlights for higher energy savings & aesthetics.



Quick Ship

TK-SPL1R4-9W-5CCT
TK-SPL1R6-12W-5CCT



Specification Features

Controls / Dimming

High quality internal driver; Triac dimming; Flicker free. Frosted Lens and Base with junction box, and Suitable for damp locations. SMD2835. Beam angle is 110°. 50,000+ working hours.

Warranty

5 Years Limited Warranty.

For more information visit us at, www.technoledlights.com/warrantyinfo

Certifications

It complies with ETL Listings, Energy Star and FCC Certified

Installation / Mounting

The installation process is straight forward and offers a range of mounting possibilities. LED wafer recessed downlight retrofit is supplied with a quick connectcase and conduit to make an easy connection to an existing recessed fixture frame junction box.

Ordering Information

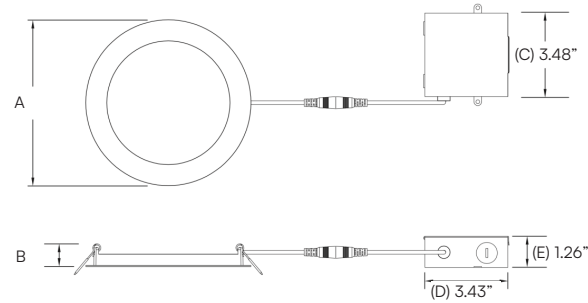
Example: TK-SPL1R4-9W-5CCT

TK	SPL1	R4	9W	5CCT	[BLANK]
Brand	Series	Length	Watts	Color Temp	Diffuser Type
TK - TekTron	SPL1 - LED Slim Panel Ligh Gen 1	R4 - 4 inch R6 - 6 inch	4 inch 9W - 9 Watt 6 inch 9W - 9 Watt 12W - 12 Watt 14W - 14 Watt	27K - 2700K 30K - 3000K 5CCT - 35K - 3500K 40K - 4000K 50K - 5000K	[Blank] 120V [Blank] Frosted

Specification Features

Input Voltage	120V
Color Temperature (CCT)	2700K/3000K/3500K/4000K/5000K
Luminous efficacy (Lm/W)	75-91 Lm/W
Color Rendering Index (CRI)	80+
Power Factor (PF)	>0.95
Beam Angle	110°
Frequency	60 Hz
Life Span	50,000+ Hrs

Dimensions



Part Number	Size	Watt	Lumens	Part Number	A (Diameter)	B (Height)	C (Junction Box Length)	D (Junction Box Width)	E (Junction Box Height)
TK-SPL1-R4-XX-5CCT	4 inches	9W	680 Lm	TK-SPL1-R4-XX-5CCT	4.8 inches	0.87 inches	3.48 inches	3.43 inches	1.26 inches
TK-SPL1-R6-XX-5CCT	6 inches	12W	1,100 Lm	TK-SPL1-R6-XX-5CCT	6.81 inches	0.94 inches			

Lighting facts

Per Trim

Brightness **1,100 lumens**

Energy Used **12 Watts**

Estimated Yearly Energy Cost **\$1.82**

Based on 3 Hrs/Day \$0.11/kwh
Actual cost base on utility rate and use

Life **31.9 years**

Recommended Dimmers:

Lutron

DVW-603PGH-WH MACL-153MR-WH
CTCL-153P-WH PD-6WCL-WH
MSCL-OP153M-WH SCL-153P-WH
DVCL-153P-WH

Leviton

6672-1LW
6674-P0W
IPL06-10Z
DSL06-1LZ

Designed for Indoor Use. Starting temperature -40 °C (-40 °F).

APPLICATION NOTES

- Operating temperature range between -4°F and +104°F (-20°C and +40°C).
- For indoor/outdoor use, including dry, damp and wet location environments.
- Designed to install in standard 4" and 6" housing. This device is not intended for use with Emergency Lighting.
- Compatible Triac dimming models:
- Warranty: This product is free from defect due to workmanship for a period of three (3) years. If it fails to do so please contact us with proof of purchase for a return authorization.

INSTALLATION INSTRUCTION

- STEP 1: Shut off power before work.
- STEP 2: Remove mounting bracket and plate from inside and existing recessed housing.
- STEP 3: Connect with Driver
- STEP 4: Place the driver in the cutout first
- STEP 5: Squeeze the snap springs together and install into cutout.
- STEP 6: Push the light into ceiling Carefully routing wires / Driver into upward to ceiling

