

Catalog:	
Project:	
Type:	Date:
Notes:	

5CCT RESIDENTIAL BACKLIT DOWNLIGHT

TK-RDX5™ Series

Description

Tektron's TK-RDX5 is a versatile and high-performance light fixture that features a regressed backlit design and a TRIAC dimming function. It can adjust to five different color temperatures, making it suitable for various lighting needs.

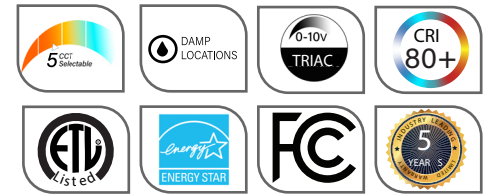
Applications

This Luminaire is suitable for using in Wet location, on Malls/Retail Spaces, Hotels, Hospitals, residential.



Quick Ship

TK-RDX5R4-10-9SCCT
TK-RDX5R6-15-9SCCT
TK-RDX5R8-22-9SCCT



Specification Features

Controls / Dimming

For Retrofit or New Construction installation. 120 VAC, TRIAC 10-100% smooth dimming. Remote J-Box, Isolated power supply. Suitable for using in Wet location

Warranty

5 Years Limited Warranty.

For more information visit us at, www.technoledlights.com/warrantyinfo

Certifications

It complies with ETL Intertek Listed, FCC, IC Rated & California Title 24,

Installation / Mounting

The installation process is straight forward and offers a range of mounting possibilities. Air-tight application. No housing required

Ordering Information

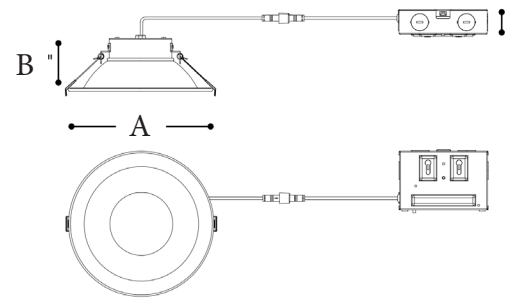
Example: TK-RDX5R4-10-9SCCT

TK	RDX5	R4	10	9S	CCT	Options
Brand	Series	Round	Watts	Color Rendering Index	Color Temp	
TK - TekTron	RDX5 - Residential Downlight	R4 - 4 inch R6 - 6 inch R8 - 8 inch	4 inch 10 - 10 Watt 6 inch 15 - 15 Watt 8 inch 22 - 22 Watt	8S — 80 CRI 9S — 90 CRI	27K - 2700K 30K - 3000K 5CCT - 35K - 3500K 40K - 4000K 50K - 5000K	Smooth or baffle frame / reflector UL listed emergency battery pack New construction pan or Joist pan installation

Specification Features

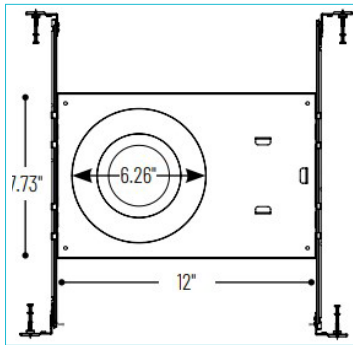
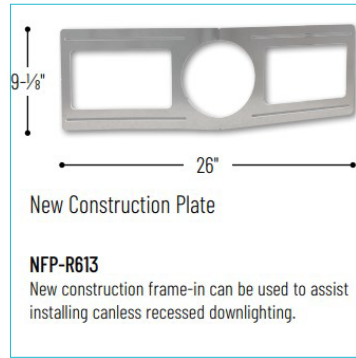
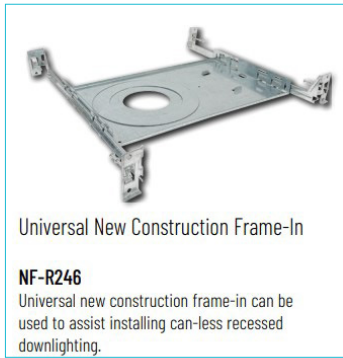
Input Voltage	120V 50/60Hz
Color Temperature (CCT)	2700K/3000K/3500K/4000K/5000K
Luminous efficacy (Lm/W)	80 Lm/W
Color Rendering Index (CRI)	80+ or 90+
Power Factor (PF)	>0.95
Total Harmonic Distortion (THD)	>20
Frequency	50/60 Hz
Life Span	50,000+ Hrs

Dimensions



Part Number	Diameter	Height
TK-RDX5-R4-XX-9SCT	4 inches	2 inches
TK-RDX5-R6-XX-9SCT	6 inches	2.85 inches
TK-RDX5-R8-XX-9SCT	8 inches	3.38 inches

Construction Frame Kit



5 CCT Switch



Product Details

Part Number	Diameter	Watts	Lumen Efficiency	Color Temp	Voltage	Dimmable	Options
TK-RDX5-R4-10-9SCT	4 inches	10W	800 lumens	2700K 3000K 3500K 4000K 5000K } 5CCT	120VAC 50 / 60 Hz	10-100%	Smooth or baffle frame reflector UL listed emergency battery pack New construction pan or Joist pan installation
TK-RDX5-R6-15-9SCT	6 inches	15W	1200 lumens				
TK-RDX5-R8-22-9SCT	8 inches	22W	1760 lumens				

