

Catalog:	
Project:	
Type:	Date:
Notes:	

5CCT COMMERCIAL BACKLIT DOWNLIGHT

TK-CDX5™ Series

Description

Tektron's TK-CDX5 is a versatile and high-performance light fixture that features a regressed backlit design and a 0-10V dimming function. It can adjust upto five different color temperatures and three different wattages, making it suitable for various lighting needs.

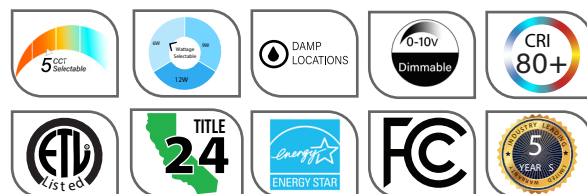
Applications

This Luminaries is suitable for using in Wet location, on Malls/Retail Spaces, Hotels, Hospitals, residential.



Quick Ship

TK-CDX5R4-12-9SCCT
TK-CDX5R6-15-9SCCT
TK-CDX5R6-24-9SCCT
TK-CDX5R8-30-9SCCT



Specification Features

Controls / Dimming

The "One family" design offers round lighting fixtures in 4/6/8in sizes. They have a remote driver with a J-Box, an air-tight standard, a spinning aluminum heatsink, and 0-10V Dimmable. The deep regress gives a cozy feel. They also have a long extension cord/cable

Warranty

5 Years Limited Warranty.

For more information visit us at,

www.technoledlights.com/warrantyinfo

Certifications

It complies with ETL Intertek Listed, FCC, IC Rated & California Title 24,

Installation / Mounting

The installation process is straight forward and offers a range of mounting possibilities. Recessed mounted

Ordering Information

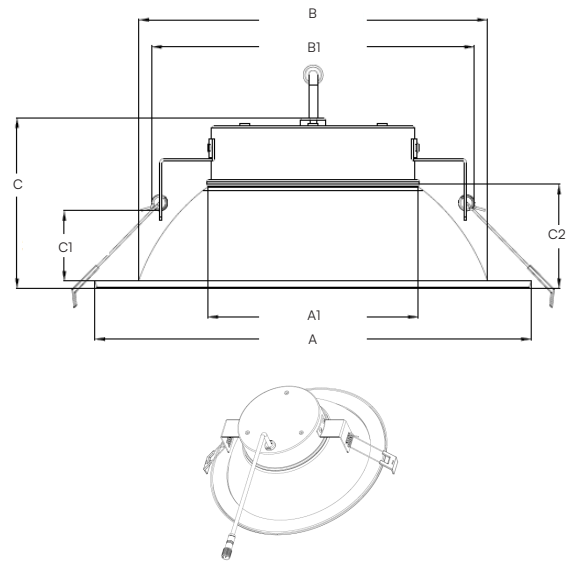
Example: TK-CDX5R4-10-95CCT

TK	CDX5	R4	10	9S	5CCT	Options
Brand	Series	Round	Watts	Color Rendering Index	Color Temp	Options
TK - TekTron	CDX5 - Commercial Downlight	R4 - 4 inch R6 - 6 inch R8 - 8 inch	4 inch 10 - 10 Watt 12 - 6/9/12 Watt 6 inch 15 - 15 Watt 20 - 20 Watt 24 - 14/18/24 Watt 8 inch 22 - 22 Watt 30 - 18/24/30 Watt	9S — 90 CRI	27K - 2700K 30K - 3000K 5CCT - 35K - 3500K 40K - 4000K 50K - 5000K	Smooth or baffle frame / reflector UL listed emergency battery pack New construction pan or Joist pan installation Finish Blank BL Black Matte black Voltage[BLANK] 120-277V 50/60Hz

Specification Features

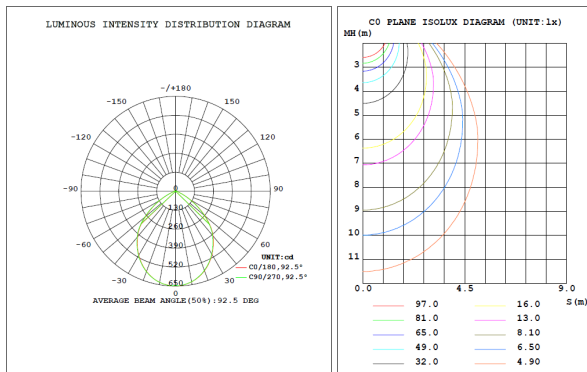
Input Voltage	120-277V 50/60Hz
Color Temperature (CCT)	2700K/3000K/4000K/5000K/6000K
Luminous efficacy (Lm/W)	Upto 95 Lm/W
Color Rendering Index (CRI)	90+
Power Factor (PF)	>0.90
LED Chip	SMD 3528
Operating Temperature	-25°C~+40°C
Beam Angle	90°
Frequency	50/60 Hz
Life Span	50,000+ Hrs

Dimensions

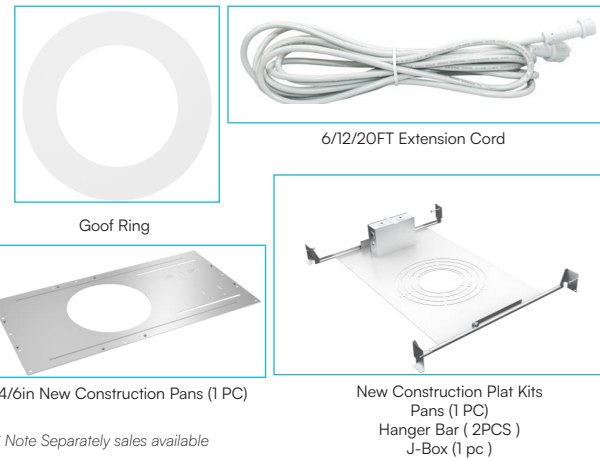


Part Number	A [Diameter]		B [Width]		C [Height]		
	A (overall Cutout)	A1 (Diameter)	B (Overall Width)	B (Aperture Width)	C (Overall Height)	C1 (Height Till Clip)	C2 (Height Till Box)
TK-CDX5-R4-XX-9SCT	5.04 inches	2.88 inches	3.89 inches	3.73 inches	1.97 inches	0.59 inches	0.84 inches
TK-CDX5-R6-XX-9SCT	7.36 inches	3.32 inches	5.77 inches	4.31 inches	2.84 inches	1.47 inches	1.58 inches
TK-CDX5-R8-XX-9SCT	8.66 inches	4.17 inches	6.92 inches	6.41 inches	3.39 inches	1.40 inches	2.07 inches

Photometrics



Accessories



Installation

