

Catalog #:	
Project :	
Type :	Date:
Notes:	

LED Flood Light

TK-FL01™ Series

DESCRIPTION

The LED flood light is an ideal energy efficient and long-lasting option. Die-cast aluminum housing provides advanced thermal management and durability, and the polycarbonate optical lens will hold up against the elements. Comes standard as a knuckle mounted fixture with bracket mounting possible.



APPLICATIONS

It is much suitable for advertisement background, bridge, river bank, building frame and other large dynamic site.

QUICK SHIP :

TK-FL01-20W-A-50
TK-FL01-30W-A-50
TK-FL01-50W-A-50



Specification Features

Controls / Dimming

Die-cast aluminum housing . Polycarbonate optical lens & IP 65 Rated

Warranty

5 Years Limited Warranty. See warranty documentation for more information.

Certification

It complies with IP65, CRI 90+, ETL Listed, DLC Premium, and 5 years warranty

Installation / Mounting

It is easy to install & s. Comes standard as a knuckle mounted fixture with bracket mounting

Ordering Information

Example: TK-FL01-20W-A-50K

TK	FL01	20W	50K	[Blank]	Mounting
Brand	Series	Watts	Color Temp	Voltage	
TK Tektron	FL01 - Flood Light Gen1	20W - 20 Watts 30W - 30 Watts 50W - 50 Watts	50K - 5000K	120-277V DC	Knuckle Mounting with Bracket Mounting

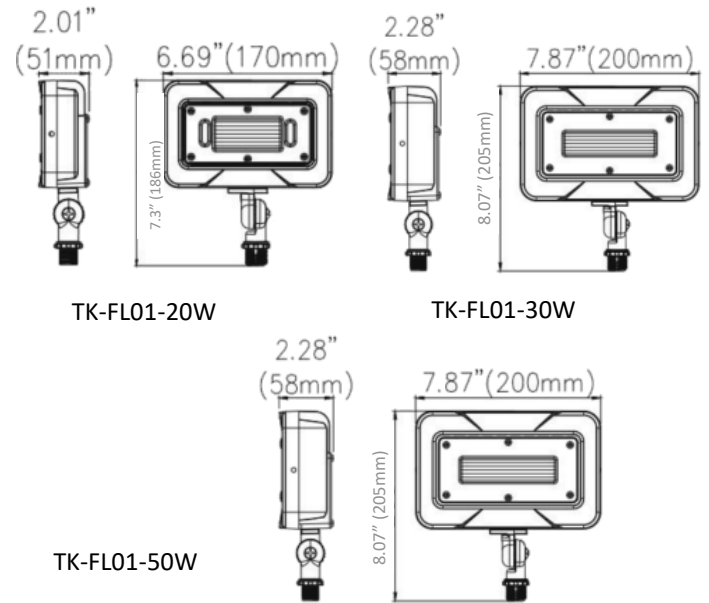


Specification Features

Input Voltage	120-277V
Lumens	120Lm/W
IP Protection	IP65
Power Factor	≥0.95
Wattage	20W/30W/50W
Operating Temperature:	-30°C to + 40° C
CRI	Ra>70
Life span	20,000 Hrs

Part Number	Length	Width	Height
TK-FL01-20W-A-50	6.69"	2.01"	7.3"
TK-FL01-30W-A-50	7.87"	2.28"	8.07"
TK-FL01-50W-A-50	7.87"	2.28"	8.07"

Product Dimension



Caution

Caution:

- Do not plug them into power when the product is still in package;
- Don't use anything to cover the fixture during application;
- Don't use this product in close environment;
- If this product appears to be damaged, do not attempt

Warning:

- Neglect on action of the above treatment will lead to failure of waterproof and proper working of the lights!!!
- Make sure the ground connection well avoid electric shock, due to metal housing.

