

Catalog #:	
Project :	
Type :	Date:
Notes:	

LED Architectural Linear Direct-Indirect Light

TLWL-LSUD Series

DESCRIPTION

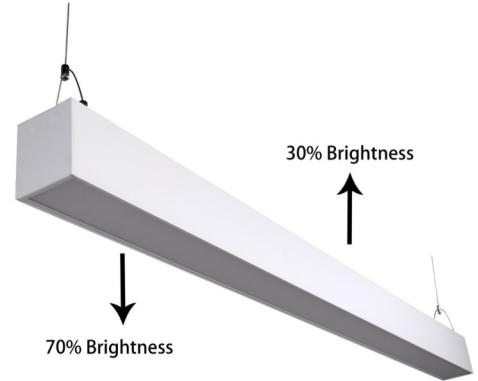
LED linear light features a sturdy aluminum body with a plastic diffuser and offers energy saving with a high color rendering index lighting >80 CRI. It is a single and double emission hanging luminaire complete with high efficiency LED.

APPLICATIONS

Ideal for modern offices, pathways, storage units, stairwell and supermarkets.

QUICK SHIP:

TLWL-LSUD4FT40WD - SLV
TLWL-LSUD4FT40WD - BLK



Specification Features



Controls / Dimming

High quality bi-level Motion sensor with increased energy savings.

Warranty

5 Years Limited Warranty. See warranty documentation for more information

Certification

It complies with DLC Premium and ETL certification, safe and reliable.

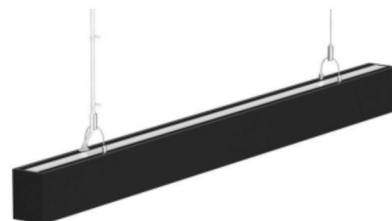
Installation / Mounting

Suitable for indoor application, can be mounted on a wall as well as suspend mounted. Linkable up to 7 lights.

Ordering Information

Example: TLWL-LSUD4FT50WDXXK - BLK

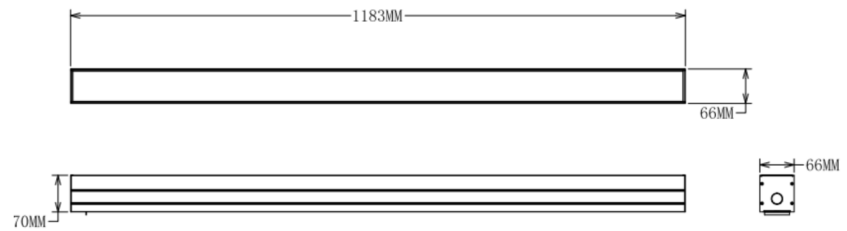
Fixture	Series	Size	Watt	Dimming	Voltage	Finish	Color Temperature
TLWL	LSUD LED Architectural Linear Direct Light	4FT 4 Feet	40W	D 0-10V	Blank 100 - 277V	SLV - Silver BLK - Black	XXK - 3000K / 4000K / 5000K



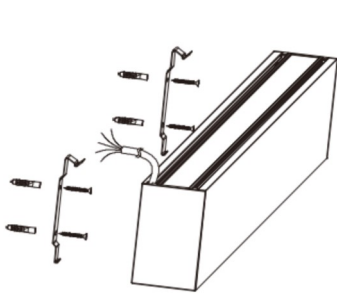
Lighting Parameters

Input Voltage	AC100-277V
Wattage	50W (Up - 15W, Down - 35W)
CCT	3000K, 4000K, 5000K
CRI	RA>80
Luminous efficacy	100 Lm/W
Working temperature	-40°F~113°F
Storage temperature	-40°F~113°F
Power Factor	>0.9

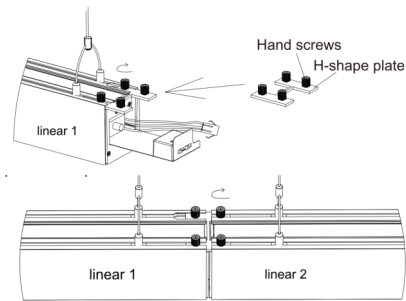
Dimensions



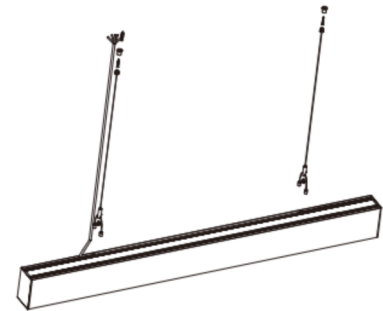
Mounting



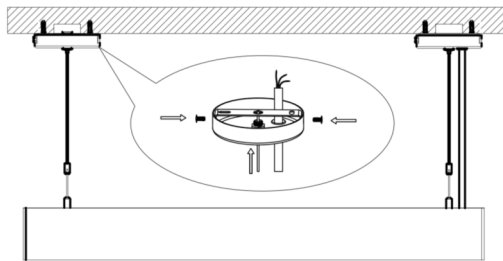
Wall Mount



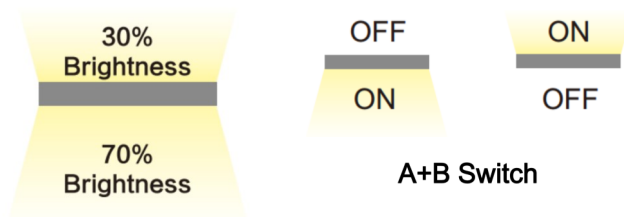
Linkable (Max. 7PCS)



Suspend Mount



Features



A+B Switch

