

Catalog #:	
Project :	
Type :	Date:
Notes:	

## E-Power Tri-Proof Light

TLFY-T56

### DESCRIPTION

The T56 is a highly durable and robust Tri-Proof light. Its polycarbonate housing is cast from a single mold and therefore absolutely dust and waterproof. Removable end caps harbor the connection terminals and allow for a quick and easy installation. A massive internal aluminum core provides stability and assures good thermal conditions for up to 480 pcs of 0.5W SMD2835 chips as well as the internal isolated power driver. Available in several wattages starting from 20W up to 110W.

### APPLICATIONS

Designed for parking facilities, corridors, hallways, warehouses and storage rooms, factories and production areas.



### QUICK SHIP:

- |                |                 |
|----------------|-----------------|
| TLFY-T56-20W06 | TLFY-T56-30W06  |
| TLFY-T56-40W12 | TLFY-T56-60W12  |
| TLFY-T56-60W15 | TLFY-T56-75W15  |
| TLFY-T56-80W24 | TLFY-T56-110W24 |



### Specification Features

#### Controls / Dimming

1-10V dimmable and DALI dimmable.

#### Warranty

5 Years Limited Warranty. See warranty documentation for more information.

#### Electrical

Internal high quality power driver containing real Rubycon capacitors, Toshiba IC's and other high grade components

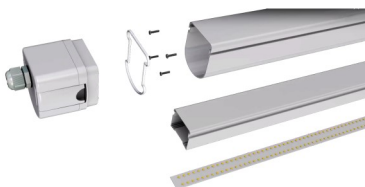
#### Certification

It complies with UL, cUL certification. RoHS compliant. DLC Premium listed.

### Ordering Information

Example: TLFY-T56-20W-2-30K

TLFY	T56	20W	4	50K	[BLANK]	[BLANK]
<b>Brand</b>	<b>Series</b>	<b>Nominal Wattage</b>	<b>Length</b>	<b>Color Temp</b>	<b>Input Voltage</b>	<b>Dimming/Hz</b>
<b>TLFY</b> TechnoLED FYTLED	<b>T56</b> T56	<b>20W</b> 20 Watt <b>30W</b> 30 Watt <b>40W</b> 40 Watt <b>60W</b> 60 Watt <b>75W</b> 75 Watt <b>80W</b> 80 Watt <b>110W</b> 110 Watt	<b>2</b> 2 Feet <b>4</b> 4 Feet <b>6</b> 6 Feet <b>8</b> 8 Feet	<b>30K</b> 3000K <b>40K</b> 4000K <b>50K</b> 5000K <b>60K</b> 6000K	<b>[Blank]</b> AC100-277V	<b>[Blank]</b> 0-10V Continuous Dimming



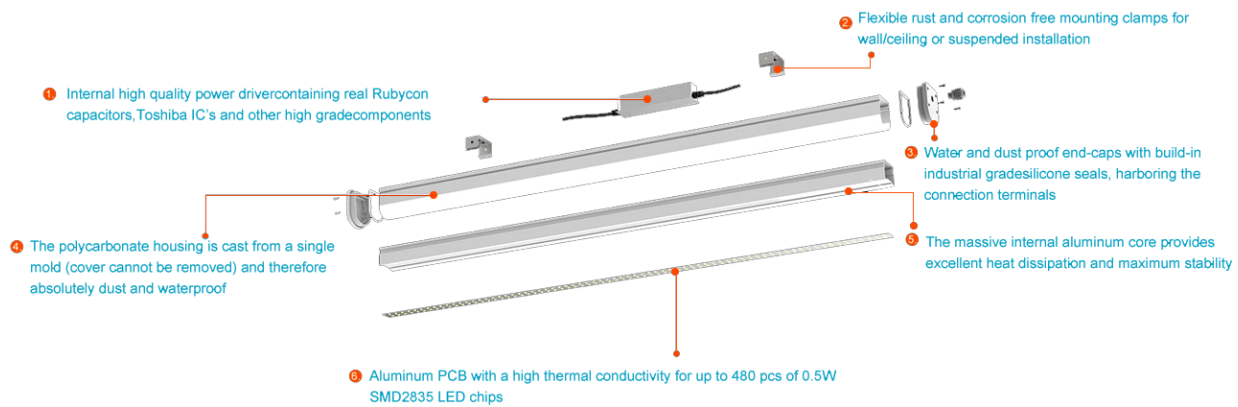
## Lighting Parameters

Input Voltage	AC100-277V
CCT	3000K / 4000K / 5000K / 6000K
CRI	>80
Luminous efficacy	130lm/w
PF	>0.90
Viewing Angle	120°
Storage temperature	-40°F~176°F
Size	4FT / 8FT
Type of protection	IP69
Life span	50,000 hours

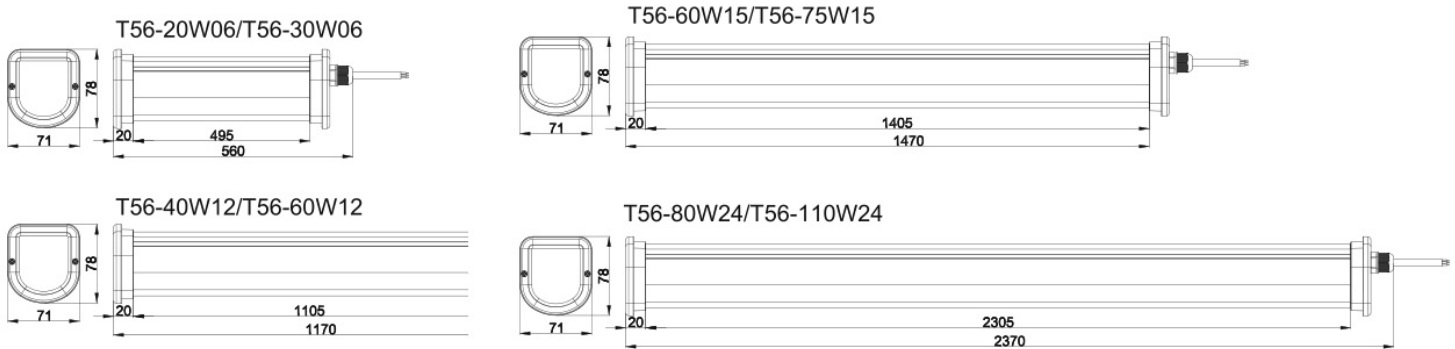
## Package Information

Model	L×W×H (inch)
TLFY-T56-20W06	22 x 2 x 3
TLFY-T56-30W06	22 x 2 x 3
TLFY-T56-40W12	46 x 2 x 3
TLFY-T56-60W12	46 x 2 x 3
TLFY-T56-60W15	57 x 2 x 3
TLFY-T56-75W15	57 x 2 x 3
TLFY-T56-80W24	93 x 2 x 3
TLFY-T56-110W24	93 x 2 x 3

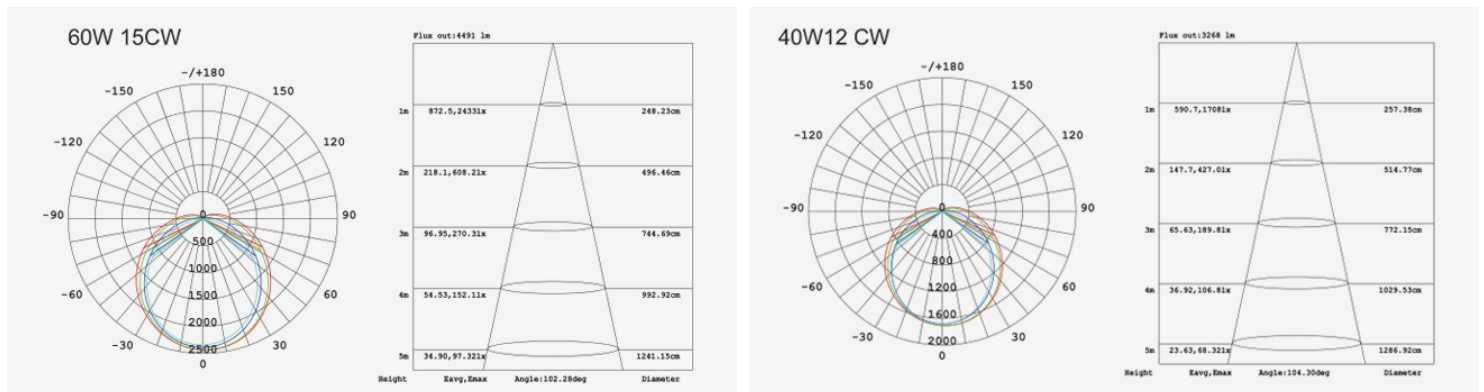
## Product Details



## Product Dimension



## Photometric Data



## Features

- Highly energy efficient - up to 130 lm/w
- High Luminous flux - up to 14.300 lm
- IP69K and IK10 protection grade
- Quick and easy installation
- No UV or IR and completely mercury free 6

## Basic Specifications

Model	Nominal wattages (W)	Nominal voltage	Rated luminous efficacy (lm/w)	Nominal luminous flux (lumen)	Beam Angle	LED Quantity	CRI
TLFY-T56-20W06	20W	AC100~277V 50~60Hz	135±5	2700±100	120°	120 PCS 0.5W 2835	>80Ra
TLFY-T56-30W06	30W		130±5	3900±150		120 PCS 0.5W 2835	
TLFY-T56-40W12	40W		135±5	5400±200		240 PCS 0.5W 2835	
TLFY-T56-60W12	60W		130±5	7800±300		240 PCS 0.5W 2835	
TLFY-T56-60W15	60W		135±5	8100±300		336 PCS 0.5W 2835	
TLFY-T56-75W15	75W		130±5	9700±400		336 PCS 0.5W 2835	
TLFY-T56-80W24	80W		135±5	10800±400		480 PCS 0.5W 2835	
TLFY-T56-110W24	110W		130±5	14300±500		480 PCS 0.5W 2835	

## Product and Packing Information

Size	Dimension L×W×H (inch)	Carton Size (L×W×H)	Qty/Carton (pcs.)	N.W./Ctn (lbs.)	G.W./Ctn (lbs.)
2Ft	22 x 2 x 3	28 x 13 x 8	6 pcs.	1.98 lbs.	18.7 lbs.
4Ft	46 x 2 x 3	51 x 13 x 8	6 pcs.	4.4 lbs.	34 lbs.
6Ft	57 x 2 x 3	63 x 13 x 8	6 pcs.	5.3 lbs.	38.5 lbs.
8Ft	93 x 2 x 3	99 x 9 x 8	4 pcs.	8.3 lbs	43 lbs.

