

Catalog #:	
Project :	
Type :	Date:
Notes:	

LED 5CCT RECESSED DOWN LIGHT

TL-RDL1™ SERIES

LED 5CCT New Construction/Retrofit Downlight 4 & 5/6 inch

DESCRIPTION

Retrofit recessed downlight engineered for demanding commercial and home applications. Ideal for lighting malls, hospitals, hotels, offices, retail spaces and Homes.

APPLICATIONS

Replaces CFL & HID or Incandescent downlights for higher energy savings & aesthetics. Save up to 80% in energy cost. 100% Mercury & Lead Free.



QUICK SHIP:

TL-RDL1R56--9W-27K	TL-RDL1R56-14W-27K
TL-RDL1R56--9W-30K	TL-RDL1R56-14W-30K
TL-RDL1R56--9W-35K	TL-RDL1R56-14W-35K
TL-RDL1R56--9W-40K	TL-RDL1R56-14W-40K
TL-RDL1R56--9W-50K	TL-RDL1R56-14W-50K



Specification Features

Controls / Dimming

High quality internal driver; Triac dimming; Flicker free. Frosted Lens and E26 Base adapter included, and Suitable for damp locations. 35000+ burning hours.

Certification

It complies with UL certification, Energy Star Rated, and FCC Compliance.

Warranty

5 Years Limited Warranty. See warranty documentation for more information.

Fixture Characteristics

Recommended Use: New Construction / Retrofit upgrade for residential and commercial lighting applications.

Housing: Durable plastic housing protects LEDs and Driver; Suitable for insulated and non-insulated ceilings.

Lens: Anti-glare high angle lens made of diffusing polycarbonate shields direct view of LEDs and reflector balances the brightness / distribution.

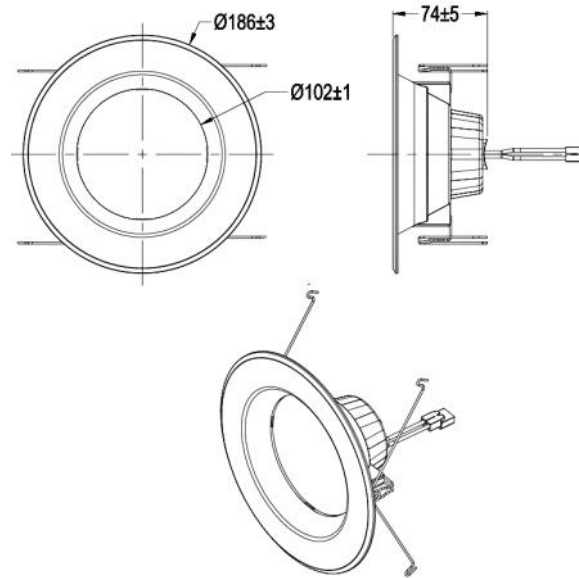
Mounting: No tools required, easy installation with clips.

Ordering Information Example: TL-RDL1R56-14W-XXK

TL	RDL1R56	5/6	9W	XXK	[BLANK]
Brand	Series	Diameter	Nominal Wattage	Color Temp	Diffuser Type
TL TechnoLED	RDL1R56 LED Retrofit Down Light	56 5/6 Inch	9W 9 Watt 14W 14 Watt	80 CRI minimum, white tuning, selectable 5CCT 2700K-5000K 27K 30K 35K 40K 50K } 5CCTSwitch	[Blank] Frosted [Blank] 120V

Lighting Parameters

LED Type	Seoul 2835
Input Voltage	120V
5 CCT—Selectable	2700K/3000K/3500K/4000K/5000K
CRI	>80
Lumens	700lm/1100lm
PF	>0.7
Frequency	60HZ
Current	140mA
Angle	110°
Color / Material	White Plastic 94-V0
Certification	UL, ES

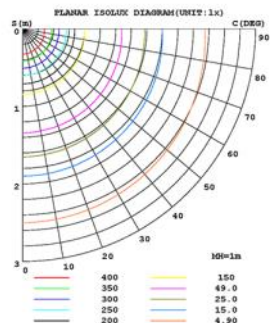
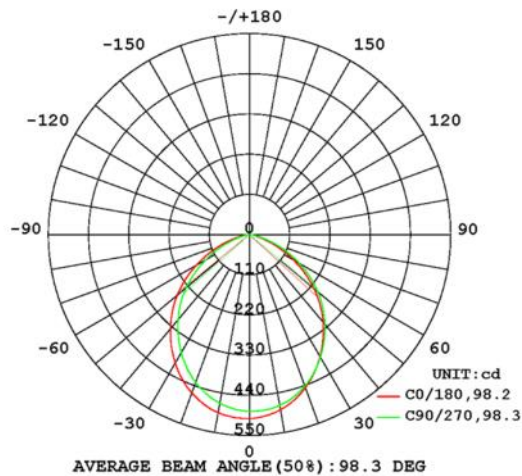


Part Number	Size	Watt	Lumens
TL-RDL1R46-9W-XXK	4/6 inch	9W	700 Lm
TL-RDL1R56-14W-XXK	5/6 inch	14W	1,100 Lm

Part Number	L	W	H
TL-RDL1R46-9W-XXK	4.9in	2.3in	5in
TL-RDL1R56-14W-XXK	6.9in	2.3in	6.9in

Photometric

LUMINOUS INTENSITY DISTRIBUTION DIAGRAM



Installation Steps

Step1: Screw Edison base adapter into socket in recessed housing.

Step2: Plug quick connector into base of LED retrofit.

Step3: Gently push the LED downlight into the recessed housing.

7.17inch
3.28inch

APPLICATION NOTES

- Operating temperature range between -4°F and +104°F (-20°C and +40°C).
- For indoor/outdoor use, including dry, damp and wet location environments.
- Designed to install in standard 4" and 6" housing. This device is not intended for use with Emergency Lighting.
- Compatible Triac dimming models:
- Warranty: This product is free from defect due to workmanship for a period of three (3)

