

Catalog #:	
Project :	
Type :	Date:
Notes:	

## LED Linear High Bay

TL-LHB2™ SERIES

### DESCRIPTION

Exceptional Energy Efficient Luminaire for large areas and tall mounting heights. Professional grade 20 gauge body. 100% Mercury & Lead Free.

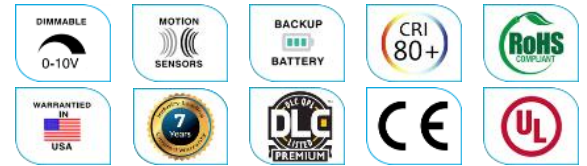
### APPLICATIONS

Ideal for lighting warehouses, gymnasiums, and industrial spaces. Replaces Metal Halide & Fluorescent High Bays for energy efficiency.



### QUICK SHIP:

TL-LHB3-110W-50K  
TL-LHB3-161W-50K  
TL-LHB5-225W-50K  
TL-LHB6-325W 50K-H1



### Specification Features

#### Controls / Dimming

High quality isolated driver; 0-10V dimming; Flicker free

#### Warranty

7 Years Limited Warranty. See warranty documentation for more information.

#### Certification

It complies with UL certification, safe and reliable. DLC Premium Listed.

#### Installation / Mounting

Chain mounting or Pendant Mounting.

## Ordering Information

Example: TL-LHB22-165W-50K

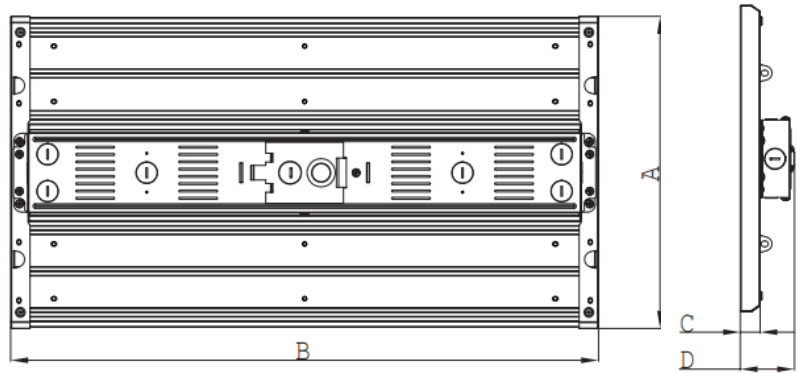
TL	LHB2	165W	50K	[BLANK]	[BLANK]
<b>Brand</b>	<b>Series (2 Feet)</b>	<b>Nominal Wattage</b>	<b>Color Temp</b>	<b>Input Voltage</b>	<b>Dimming / Hz</b>
<b>TL</b> TechnoLED	<b>LHB22</b> LHB22 - 80W LHB22 - 110W	<b>80W</b> 80 Watt <b>110W</b> 110 Watt <b>160W</b> 160 Watt	<b>40K</b> 4000K <b>50K</b> 5000K	<b>[Blank]</b> AC120-277V	<b>[Blank]</b> 0-10V Continuous Dimming, 50/60Hz
	<b>LHB23</b> LHB23 - 160W LHB23 - 220W	<b>220W</b> 220 Watt <b>165W</b> 165 Watt <b>225W</b> 225 Watt <b>320W</b> 320 Watt		<b>[BLANK]</b>	
	<b>Series (4 Feet)</b>		<b>Controls/Mounting/Options</b>		
	<b>LHB25</b> LHB25 - 165W LHB25 - 225W		<b>[Blank]</b> Chain Installation <b>PM</b> Pendant Mount <b>WG</b> Wire Guard <b>OS</b> On/Off Occupancy Sensor <b>EM</b> Emergency 90 Min. Battery Backup <b>SDT</b> 347-480V Step-Down Transformer		
	<b>LHB26</b> LHB26 - 320W				



## Lighting Parameters

Input Voltage	AC120-277V
CCT	4000K / 5000K
CRI	Ra>80
Luminous efficacy	150lm/w
PF	>0.90
Driver Efficiency	87%
THD	20%
Working temperature	-4°F~104°F
Storage temperature	-22°F~140°F
Size	2FT / 4FT

## Product Dimension

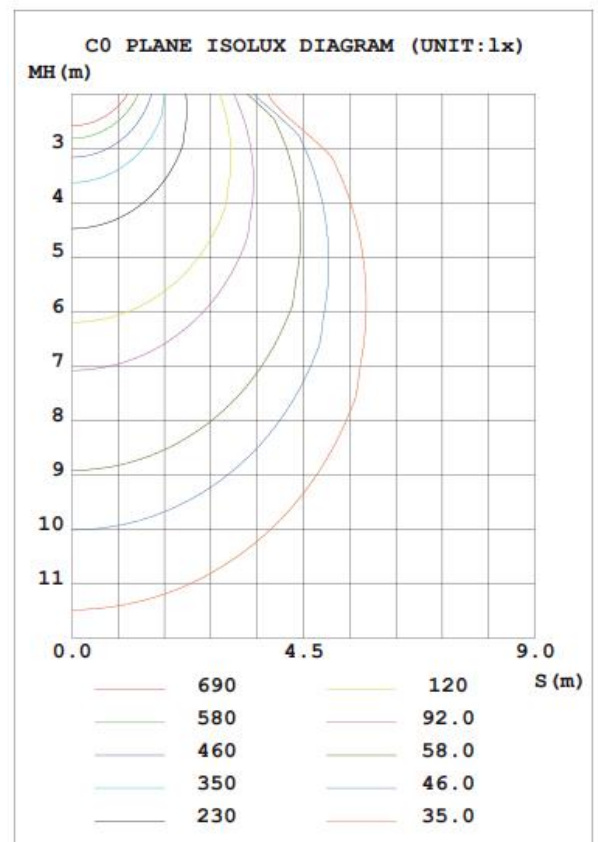
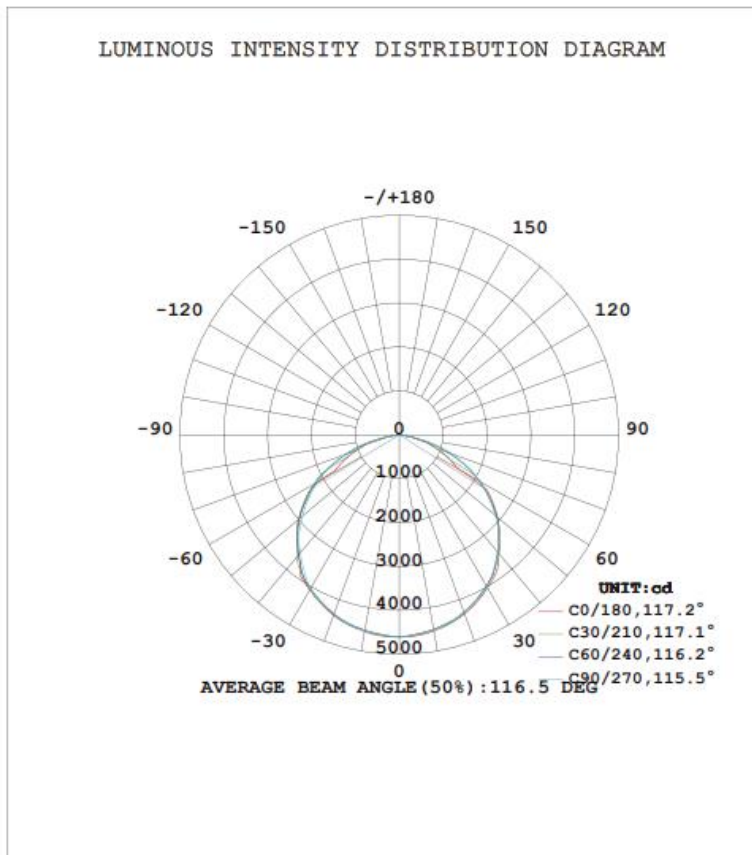


## Application



Part Number	A	B	C	D
TL-LHB22-80W	12.60"	23.82"	0.83"	2.2"
TL-LHB22-110W	12.60"	23.82"	0.83"	2.2"
TL-LHB23-160W	17.32"	23.82"	0.83"	2.2"
TL-LHB23-220W	12.60"	45.87"	0.83"	2.2"
TL-LHB25-165W	17.32"	45.87"	0.83"	2.2"
TL-LHB25-225W	17.32"	45.87"	0.83"	2.2"
TL-LHB26-320W	17.32"	45.87"	0.83"	2.2"

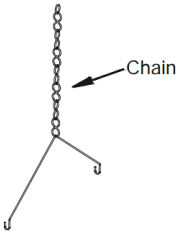
## Photometric data



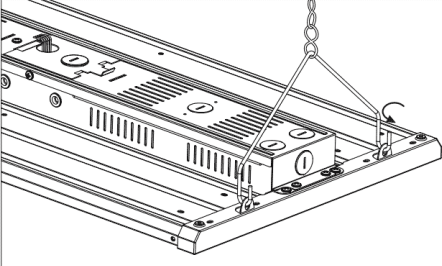
## Installation Instruction

### Chain Installation

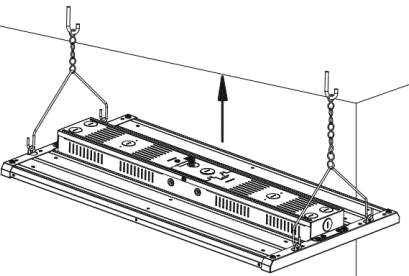
1. Hook the chain as below pic.



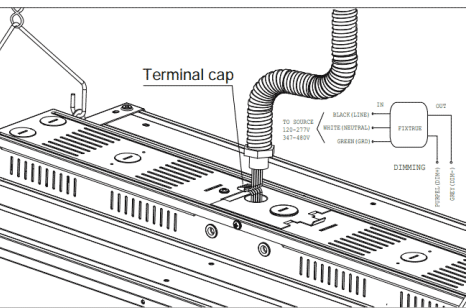
2. Insert the hook into the slotted holes, as shown below.



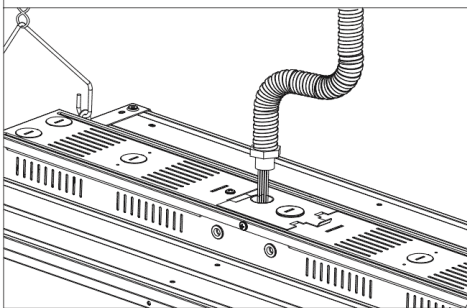
3. Hook up the chain on the ceiling anchor.



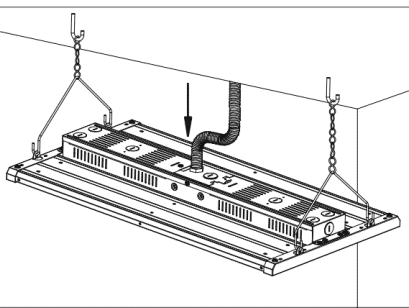
4. Turn off power, and make wiring connections with terminal cap (see wiring instruction below).



5. Insert the terminal cap and wires into the driver box.



6. Insert the wire terminal joint to the wire entry. Installation completed.



### Packing Information

Model	Outer Carton Size (L×W×H)	Qty/Carton (pcs.)	N.W./Ctn (lbs.)	G.W./Ctn (lbs.)
TL-LHB22-80W	(25.78**14.2**15.75") (655*400*110mm)	4 pcs.	33.5 lbs.	38.36 lbs.
TL-LHB22-110W	(25.78**15.75**4.33") (655*400*110mm)	1 pcs.	10.14 lbs.	14.00 lbs.
TL-LHB23-160W	(25.78**20.47**4.33") (655*520*110mm)	1 pcs.	11.90 lbs.	15.00 lbs.
TL-LHB25-225W	(47.83**15.75**4.33") (1215*400*110mm)	1 pcs.	16.31 lbs.	20.06 lbs.
TL-LHB26-320W-H1	(47.83**20.47**4.33") (1215*520*110mm)	1 pcs.	19.84 lbs.	24.47 lbs.

### Product Information

DLC Model	Description	Watt	Lumens	Voltage	THD	PF	Weight	DLC Product ID #
TS-THB2-110W-50K	LED Linear High-bay	110	13,940 lm	120-277	15%	>0.9	8.37 lbs.	PIR5IPB5
TS-THB3-160W-50K	LED Linear High-bay	160	20,281 lm	120-277	10.5%	>0.9	8.37 lbs	PHFYPO08
TS-THB5-225W-50K	LED Linear High-bay	225	31,771.5 lm	120-277	8.96%	>0.9	8.37 lbs	PXEQXW16
TL-LHB6-325W 50K	LED Linear High-bay	325	43,510 lm	120-277	14.58%	>0.9	8.37 lbs	PLYZFCTGKARF

