

Catalog #:	
Project :	
Type :	Date:
Notes:	

LED Center Basket Troffer

CBT2™ SERIES

DESCRIPTION

Premium high performance lumens per watt with durable white iron body & frosted lens. 100% Mercury & Lead Free.

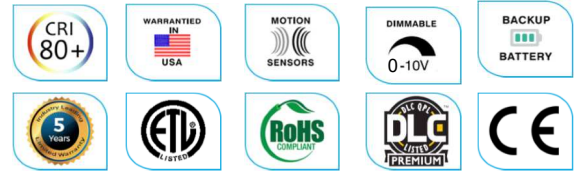
APPLICATIONS

Ideal for lighting offices, schools, hospitality, healthcare & other industrial applications. Easy to install, Snap-On lens, and improved aesthetics.



QUICK SHIP:

TL-CBT2-40W-24-40K-D
TL-CBT2-40W-24-40K-D



Specification Features

Controls / Dimming

High quality isolated driver; 0-10V dimming; Flicker free. Optional Motion Sensor, Time & Lumen Settable.

Certification

It complies with ETL certification, DLC Premium Listed. IP20 Rated.

Warranty

5 Years Limited Warranty. See warranty documentation for more information.

Installation / Mounting

Luminaire installs in Lay-in T-Bar Grid or Drop-In Ceiling Mount or Surface Mount install. Beam angle is $\geq 130^\circ$. Instant start w/NO humming. Flicker free.

Ordering Information

Example: TL-CBT2-30W-24-40K-D-YYZ

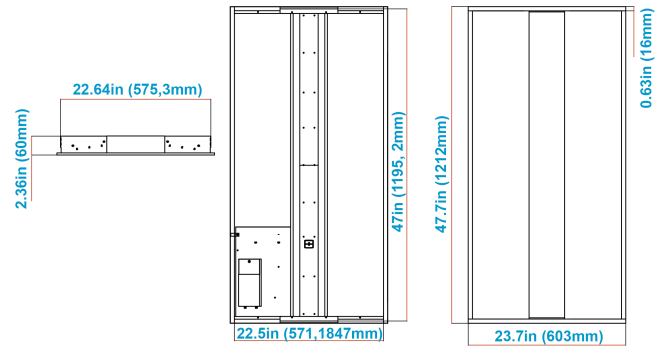
TL	30W	24	XX	ZZ	YYZ
Series	Nominal Wattage	Size	CCT Options	Dimming	Driver Type
TL-CBT2 Series	30 30W 40 40W	24 24inch * 48inch 2x4	35K 3500K 40K 4000K 50K 5000K	D Dimming [Blank] Non-dimming	[Blank] Driver type A2L H2L
TechnoLED Center Basket Troffer					
[OPTIONS]					
EM Emergency Battery Backup 90 Min. MMS Microwave Motion Sensor SFM Kit Surface Mounting Kit					



Lighting Parameters

Input Voltage	AC120-277V
CCT	3500K / 4000K / 5000K
CRI	Ra>80
Luminous efficacy	125lm/w
PF	>0.90
Driver Efficiency	87%
THD	<20%
Working Storage Temp	-20°C~ +50°C
Input Current	0.36A
IP Rating	IP20 Rated

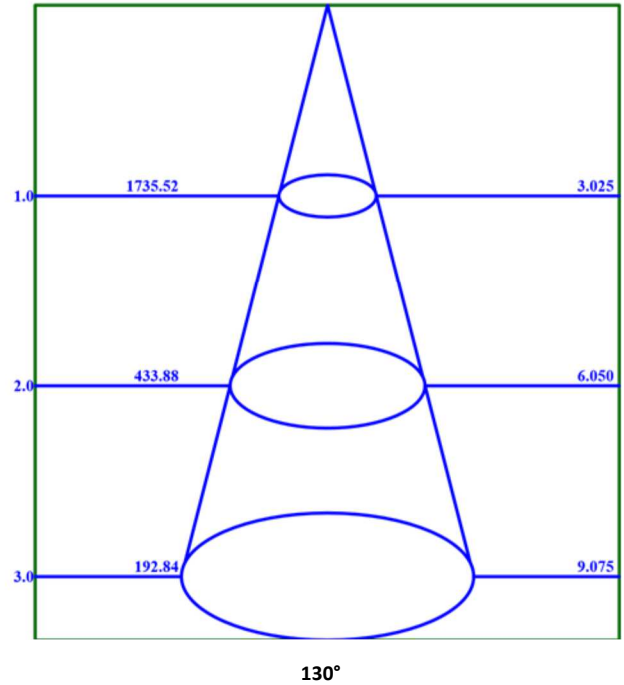
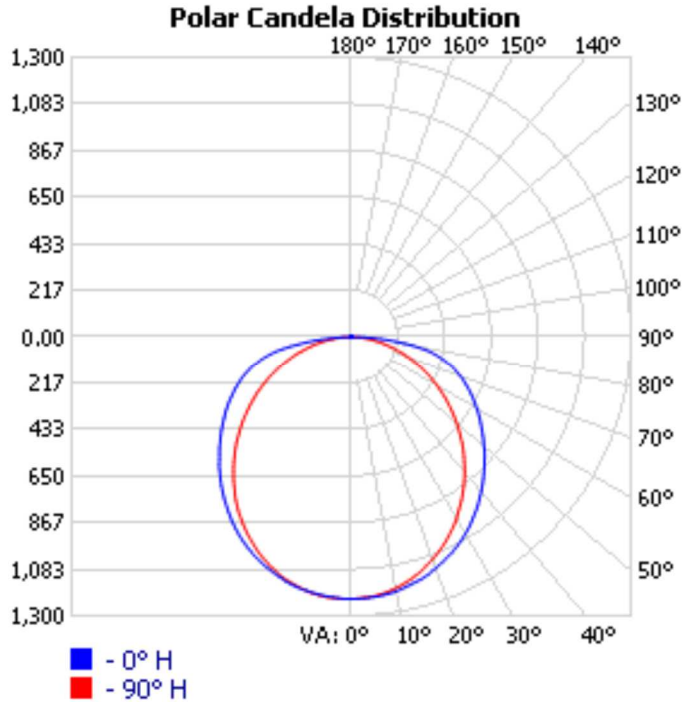
Product Dimension



TL-CBT2-30W-24 20/30/40 XX (2ft x 4ft)	23.74" (L)	23.74" (W)	2.36" (H)
TL-CBT2-40W-24 30/40/50 XX (2ft x 4ft)	47.74" (L)	23.74" (W)	2.36" (H)

Photometric data

2' x 4' Troffer 30W 5000K



Product Information

Model	Description	Watt	Lumens	Voltage	THD	PF	Beam Angle	DLC Product ID
TL-CBT2-30W-24-40K-D	LED Troffer	30	3,900	120-277	20%	>0.9	125° *100°	PL46ITV60SWV
TL-CBT2-40W-24-40K-D	LED Troffer	40	5,200	120-277	15%	>0.9	125° *100°	PLSMNS51QRDS

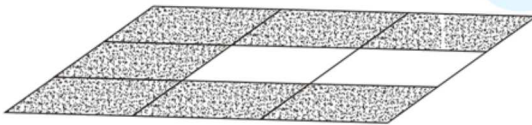
Packing Information

Model	Outer Carton Size (L×W×H)	Qty/Carton (pcs)	N.W./Ctn (lbs)	G.W./Ctn (lbs)
TL-CBT2-30W-24-40k-D-A2LMMM8M	26.75" x 50.39" x 6.2"	1	12.1 lbs.	15.9 lbs.
TL-CBT2-40W-24-40K-D-A2LMMM8M	26.75" x 50.39" x 6.2"	1	12.1 lbs.	15.9 lbs.
TL-CBT2-40W-24-CFK-D-H2LMMM8M	26.75" x 50.39" x 6.2"	1	12.1 lbs.	15.9 lbs.

Installation Instructions

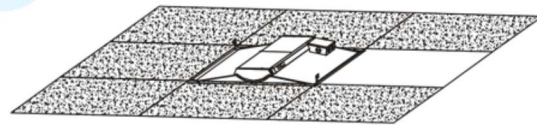
Please read the instructions carefully before installation

①



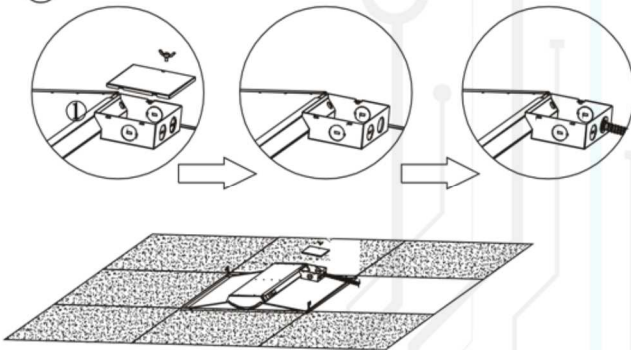
Step 1. Remove two boards.

②



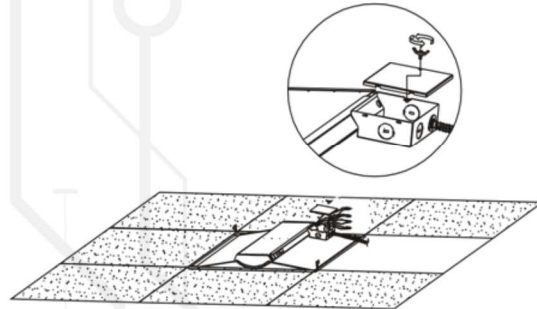
Step 2. Put the lamp on ceiling.

③



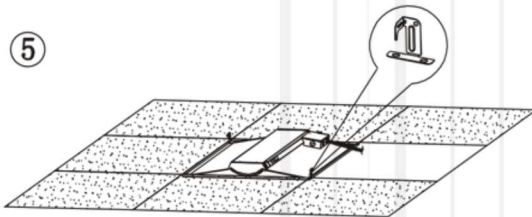
Step 3. Open the cover of junction box; Knock off the piece of side and let the wire conduit through junction box.

④



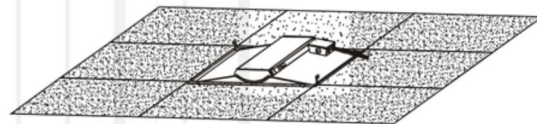
Step 4. Connect the wires with P2, Refer to wiring diagram as below.

⑤



Step 5. Lock the lamp on framework.

⑥



Step 6. Put another board back, check the lamp must be placed firmly.