

Catalog #:	
Project :	
Type :	Date:
Notes:	

TL-04CWLEZ EMERGENCY EXIT

EM SERIES

DESCRIPTION

Long lasting, efficient, ultra bright white LED lamp heads. 3.6W (3 LEDs x 1.2 watt) per head. Adjustable LED lamp heads provide optimal center-to-center spacing.

APPLICATIONS

Ideal for lighting offices, schools, hospitality, healthcare & other industrial applications. Easy to install, Snap-on lens, and improved aesthetics.

ELECTRICAL

Dual 120/277 voltage. Unique bi-color LED indicator light alerts occupant on battery condition).6V long life, maintenance free, re-chargeable NiCd battery. Internal solid-state transfer switch automatically connects the internal battery to LED board and lamp-heads for minimum 90-minute emergency illumination.



Specification Features

Housing

5VA flame retardant, UV stabilized polycarbonate housing and lens with EZsnap-out Chevron directional indicators. Corrosion resistant enclosure with engineering grade silicone gasket. Die-cast aluminum mounting canopy included for top or end mount with universal K/O pattern on back plate for wall mount.

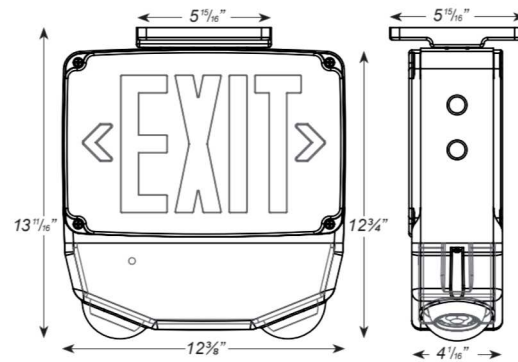
Options

SDT: Self-diagnostic feature performs monthly, biannual, and annual tests to ensure reliable operation and meet electrical and life safety codes. TP: Tamper-proof hardware helps prevent unauthorized access to the unit. CW: Optional internal heater and battery blanket for extreme cold temperature applications (-20°C – 50°C). Custom: Signs available with requested "special" wording.

Warranty/ Listing

Five year warranty on all electronics and housing. Battery pro-rated for five years. Meets UL924, NFPA 101 Life Safety Code, NEC, OSHA, Local and State Codes. UL listed for wet locations (0°C – 50°C).

DIMENSIONS:



MODEL	No. of FACES	LETTER COLOR	HOUSING COLOR	OPTIONS
TL-04CWLEZ	1 Single	R RED	W White	TP – Tamper proof screws CW– Cold weather CUSTOM– Custom wording RC Remote Capable SDT– Self Diagnostic
	2 Double	G Green	B Black	
		G Gray (white facing)		