

Catalog #:	
Project :	
Type :	Date:
Notes:	

LED Linear High Bay

TL-LHB2™ SERIES

DESCRIPTION

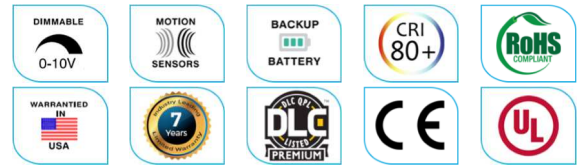
Exceptional Energy Efficient Luminaire for large areas and tall mounting heights. Professional grade 20 gauge body. 100% Mercury & Lead Free.

APPLICATIONS

Ideal for lighting warehouses, gymnasiums, and industrial spaces. Replaces Metal Halide & Fluorescent High Bays for energy efficiency.

QUICK SHIP:

TL-LHB3-161W-50K
TL-LHB5-225W-50K
TL-LHB6-325W 50K



Specification Features

Controls / Dimming

High quality isolated driver; 0-10V dimming; Flicker free

Warranty

7 Years Limited Warranty. See warranty documentation for more information.

Certification

It complies with UL certification, safe and reliable. DLC Premium Listed.

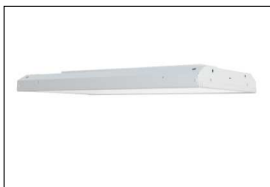
Installation / Mounting

Chain mounting or Pendant Mounting.

Ordering Information

Example: TL-LHB2-165W-50K

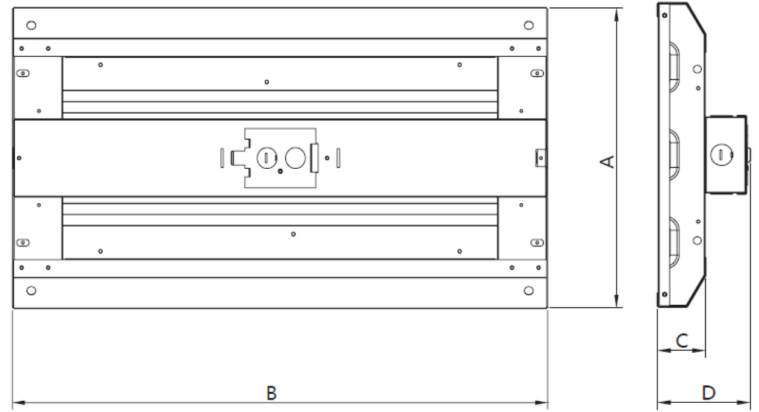
TL	LHB2	165W	50K	[BLANK]	[BLANK]
Brand	Series	Nominal Wattage	Color Temp	Input Voltage	Dimming / Hz
TL TechnoLED	LHB2 LHB2 - 80W LHB2 - 111W LHB3 LHB3 - 165W LHB5 LHB5 - 225W LHB6 LHB6 - 325W Linear High Bay	80W 80 Watt 111W 111 Watt 165W 165 Watt 225W 225 Watt 325W 325 Watt	40K 4000K 50K 5000K	[Blank] AC120-277V	[Blank] 0-10V Continuous Dimming, 50/60Hz
[BLANK]					
Controls/Mounting/Options					
[Blank]	Chain Installation				
PM	Pendant Mount				
WG	Wire Guard				
OS	On/Off Occupancy Sensor				
EM	Emergency 90 Min. Battery Backup				
SDT	347-480V Step-Down Transformer				



Lighting Parameters

Input Voltage	AC120-277V
CCT	4000K / 5000K
CRI	Ra>80
Luminous efficacy	130lm/w
PF	0.90
Driver Efficiency	87%
THD	20%
Working temperature	-4°F~104°F
Storage temperature	-22°F~140°F
Size	2FT / 4FT

Product Dimension



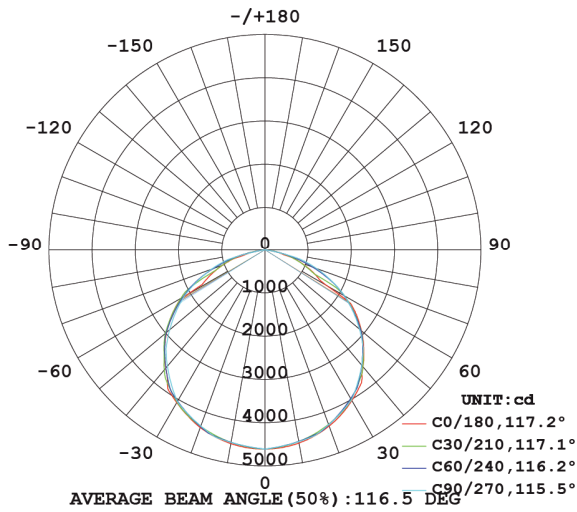
Application



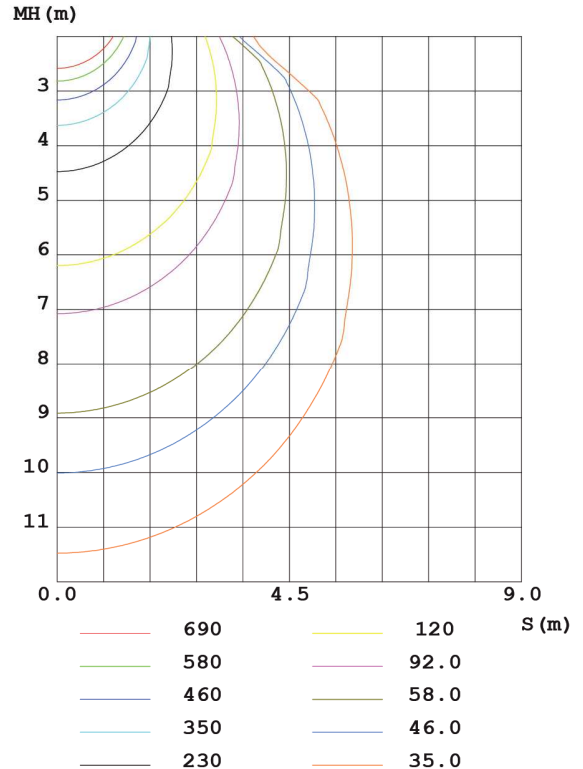
Part Number	A	B	C	D
TL-LHB2-80W	12.60"	23.82"	1.97"	3.78"
TL-LHB2-111W	12.60"	23.82"	1.97"	3.78"
TL-LHB3-165W	17.32"	23.82"	1.97"	3.78"
TL-LHB5-225W	12.60"	45.87"	1.97"	3.78"
TL-LHB6-325W	17.32"	45.87"	1.97"	3.78"

Photometric data

LUMINOUS INTENSITY DISTRIBUTION DIAGRAM

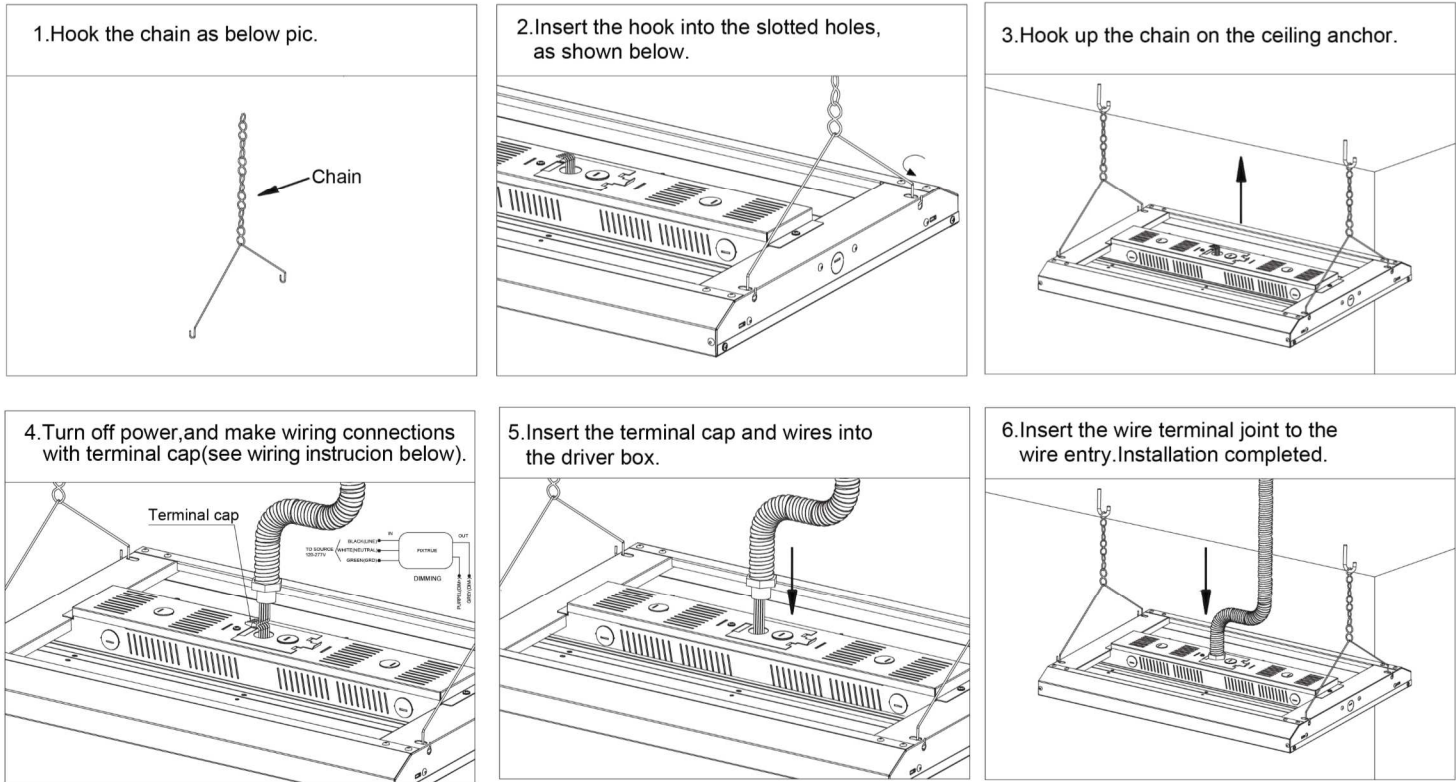


C0 PLANE ISOLUX DIAGRAM (UNIT:lx)



Installation Instruction

Chain Installation



Packing Information

Model	Outer Carton Size (L×W×H)	Qty/Carton (pcs.)	N.W./Ctn (lbs.)	G.W./Ctn (lbs.)
TL-LHB2-80W	(25.78**15.75*4.33") (655*400*110mm)	1 pcs.	10.14 lbs.	14.00 lbs.
TL-LHB2-111W	(25.78**15.75*4.33") (655*400*110mm)	1 pcs.	10.14 lbs.	14.00 lbs.
TL-LHB3-165W	(25.78**20.47*4.33") (655*520*110mm)	1 pcs.	11.90 lbs.	15.00 lbs.
TL-LHB5-225W	(47.83**15.75*4.33") (1215*400*110mm)	1 pcs.	16.31 lbs.	20.06 lbs.
TL-LHB6-325W	(47.83**20.47**4.33") (1215*520*110mm)	1 pcs.	19.84 lbs.	24.47 lbs.

Product Information

Model	Description	Watt	Lumens	Voltage	THD	PF	Weight	DLC Product ID #
TL-LHB2-80W -50	LED Linear High-bay	80	10,400	120-277	≤20%	>0.9	10.14 lbs.	Pending
TL-LHB2-111W-50	LED Linear High-bay	111	143,00	120-277	≤20%	>0.9	10.14 lbs.	Pending
TL-LHB3-165W-50K	LED Linear High-bay	165	21,450	120-277	≤20%	>0.9	11.9 lbs.	PLLLYNO1TEPH
TL-LHB5-225W-50K	LED Linear High-bay	225	29,250	120-277	≤20%	>0.9	16.31 lbs.	PLE00FEZCK7V
TL-LHB6-325W-50K	LED Linear High-bay	325	42,250	120-277	≤20%	>0.9	19.84 lbs.	PLYZFCTGKARF

